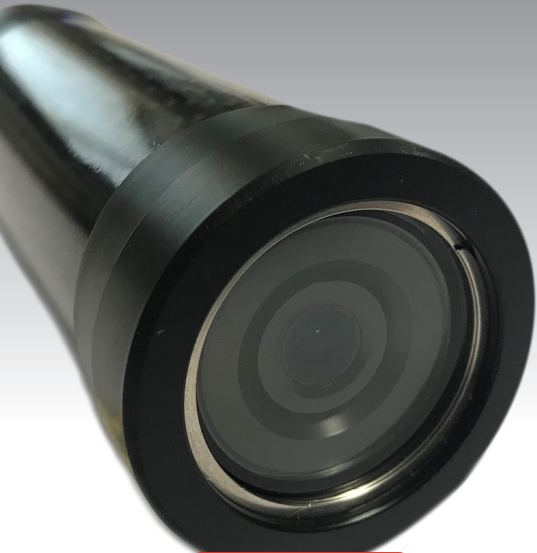




ROVTECH SOLUTIONS CE



P/N: # RSL 2010

Carbon Fibre Micro Seacam Camera

The new, innovative RSL Carbon Fibre camera is designed to be a lightweight, cost effective alternative to standard stainless-steel and aluminium submersible cameras. Weighing less than 250g in air (approx. 90g in water) it makes an ideal divers hat camera, handheld inspection camera or ROV mounted camera.

The RSL Carbon Fibre Micro Seacam is designed to function perfectly in combination with the RSL Carbon Fibre Micro Seabeam LED Light and RSL HD Camera Console.

The carbon fibre housing has been pressure tested to 250m over multiple cycles (500+) and has proven to be a robust material, able to withstand the rigours of everyday use.

The module is available in a Standard Definition (700+ TVL) or in full High Definition (1920 x 1080P), subject to requirements. Module is removable and focal length can be factory adjusted for very close up inspection.

Features and Benefits

Lightweight
Compact
Cost-Effective
250m Depth Rating

Applications

General Underwater Inspection
ROV Mounting
Winch and Deck Monitoring
Trenchers and Crawlers
Diving Applications
Tow and Drop Systems

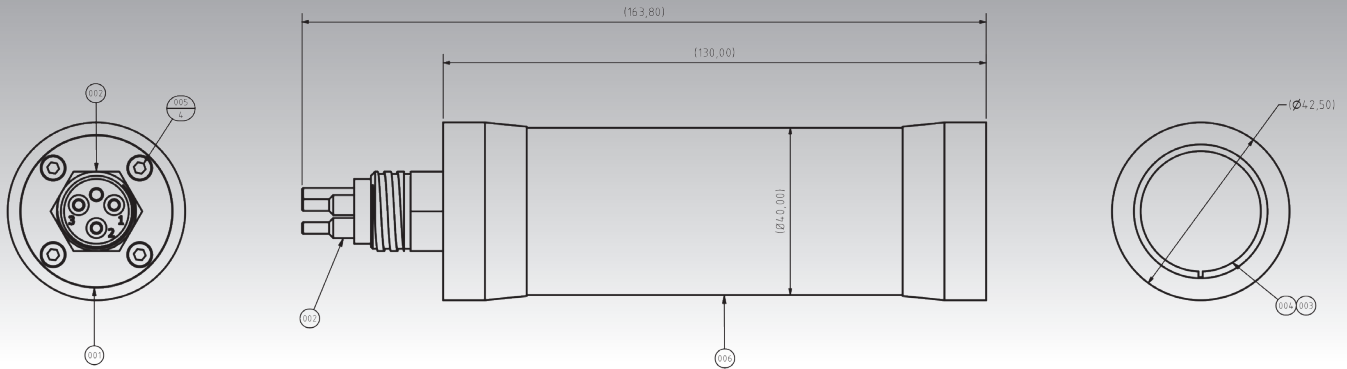
Options

RSL Carbon Fibre Tilt Unit
RSL Carbon Fibre Pole Deployment System
Various Submersible Connectors
Custom Wiring
Various, and Custom Brackets
NTSC or PAL

This product is CE Marked and shipped with a Certificate of Conformity and Pressure Test Certificate



ROVTECH SOLUTIONS LTD



This product is an addition to the RSL Carbon Fibre Range:

• RSL 1389 Carbon Fibre Micro Seacam • RSL 1403 Carbon Fibre Micro Seabeam • RSL 0182 Powered Carbon Fibre Deployment Poles (up to 3m) • RSL 1176 Passive Carbon Fibre Deployment Poles (Up to 3m) • RSL 1194 Control Console System

<i>Item</i>	Camera	<i>Connectors</i>	Underwater Connector MCBH4M (Client Specified Connector on demand)
<i>Style</i>	Bullet	<i>Input Voltage</i>	12-24 Vdc
<i>Dimensions (Ø x L)</i>	42.5mm Ø (max) x 130mm long (Excluding Connector)	<i>Amps (max)</i>	< 150 mA
<i>Weight</i>	< 250g in Air ~ 90g in Water	<i>Port</i>	Tough Glass
<i>Material</i>	Carbon Fibre & Acetal Ends	<i>Video Output</i>	Full HD 1080p HD-TVI ~ 93° H-FOV in Air ~ 67° H-FOV in Water 0.2 Lux Illumination
		<i>Pressure Rating</i>	25 Bar